

# Televés®



T.OX SERIES

EN DVBS2 - COFDM

Ref. 563101

User manual



## Index

1. Technical specifications .....	5
2. Reference description .....	7
3. Mounting .....	8
3.1. Wall mounting .....	8
3.2. 19" rack mounting .....	9
4. Element description .....	10
4.1. Introduction .....	10
4.2. Power supply unit .....	11
4.3. Amplifier .....	12
4.4. Universal programmer .....	13
5. How to use the product .....	14
5.1. Main menu .....	14
5.2. Extended menu .....	16
5.3. Parameters saving .....	18
6. Selecting the DVB-T output mode in DVBS2-COFDM transmodulators .....	19
7. Controlling the device .....	21
8. Distribution of 7 channels of DVBS2-COFDM T0X .....	22
9. Norms for rack mounting .....	23
10. Norms for cabinet mounting .....	25
A. Channels table .....	27



## 1. Technical characteristics

### 1.1. DVBS2-COFDM ref. 563101

Satellite Demodulator	Input frequency	950 - 2150 MHz	Through loss	< 1,5 dB typ.
	Symbol rate	10-30 Mbaud (QPSK- 8PSK)	Modulation	DVB-S2 (QPSK, 8PSK) DVB-S (QPSK)
	Frequency steps	1 MHz	Internal FEC	LDPC (9/10, 8/9, 5/6, 4/5, 3/4, 2/3, 3/5, 1/2, 1/4, 1/3, 2/5)
	Input connectors and output	"F" female	External FEC	BCH (Bose-Chaudhuri-Hocquenghem)
	Input impedance	75 ohm.	Roll-off factor	20%, 25%, 35%
	LNB power supply	13/17V/ OFF 22KHz (ON/OFF)	Input VSWR	10 dB min.
COFDM Modulator	Modulation format	QPSK, 16QAM, 64QAM	Scrambling	DVB ET300744
	Guard interval	1/4, 1/8, 1/16, 1/32	Interleaving	DVB ET300744
	FEC	1/2, 2/3, 3/4, 5/6, 7/8	Cell_id	Selectable
	Bandwidth	7 MHz, 8 MHz	Output spectrum	Normal / Inverted (Selec.)
RF output	Output frequency	177 - 266 / 474 - 858 MHz (CH mode) 45 - 862 MHz (Frequency mode)	Through loss	< 1,5 dB typ.
	Frequency steps	166 KHz	Return loss	> 12 dB typ.
	Maximum output level	80±5 dBμV (progr.)	Input and output connectors	"F" female.
	Attenuation	>15 dB (prog)	Output impedance	75 ohm.
General	Consumption*	24V $\overline{=}$ : 270 mA (LNB power OFF) 24V $\overline{=}$ : 480 mA (LNB power ON)		
	Index of protection	IP20		

\* For the LNB it is considered a standard consumption of 300 mA.

The technical characteristics described are defined for a maximum ambient temperature of 45°C (113°F). Forced ventilation is used for higher temperatures.

### 1.2. Technical specs. Broadband Amplifiers

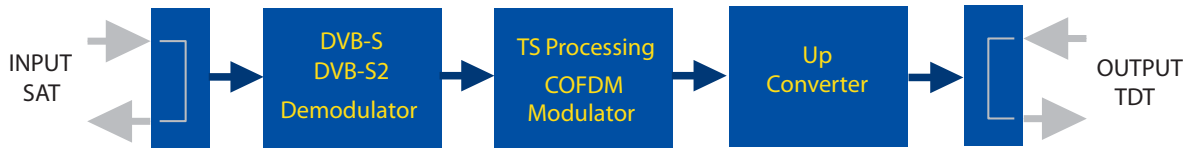
Amplifier 5575	Frequency range	46 ... 862 MHz	Connector	"F"
	Gain	44 ± 2,5 dB	Power supply	24 V===
	Regulation margin	20 dB	Consumption at 24 V===	450 mA
	Output level (60 dB)	105 dBµV (42 CH CENELEC)	Test socket	-30 dB
Amplifier 451202	Frequency range <sup>(1)</sup>	47 ... 862 MHz	Connector	"F"
	Gain <sup>(1)</sup>	40 - 53 dB (selec.)	Power supply	196 - 264 V~ 50/60 Hz
	Maximum output level <sup>(1)</sup>	129 dBµV (typ.) (DIN 45004B)	Max. Power	16 W
	Frequency range <sup>(2)</sup>	5 ... 30 MHz	Test socket	-20 dB
	Gain <sup>(2)</sup>	20/ -3 dB (typ.)		
	Maximum output level <sup>(2)</sup>	129/ --- dBµV (typ.) (DIN 45004B)		

(1) Main channel      (2) Return channel (active/passive)

### 1.3. Technical specs. Power Supply Unit

Power supply unit 5629	Mains voltage	196 - 264 V~ 50/60 Hz	Total max. current (outpur 1 + output 2)	5A (24V===)
	Output voltage	24V===	Max. current per output	4A (24V===)

### 1.4. Blocks Diagram

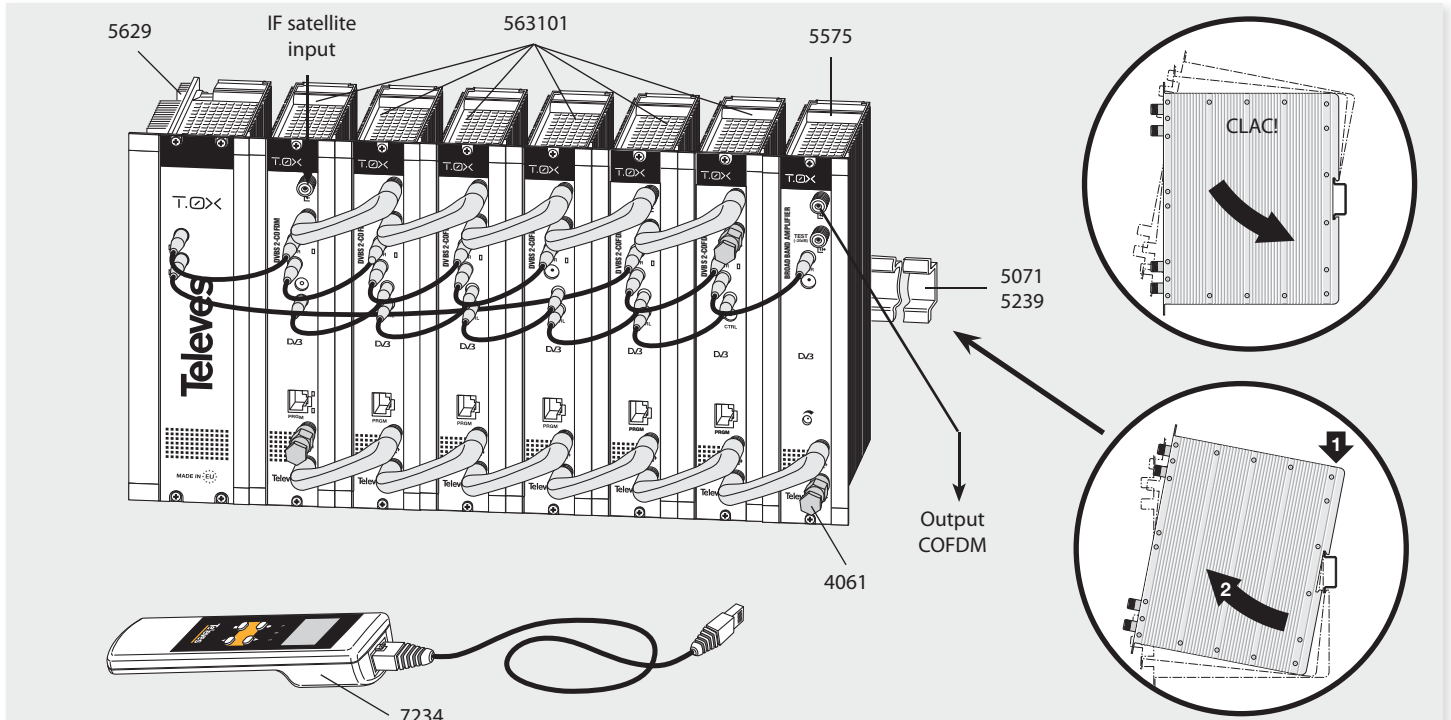


## 2. Description of references

Range		Accessories	
563101	DVBS2-COFDM T-0X	7234	Universal Programmer
5575	Broadband Amplifier 44dB 120dB $\mu$ V T-0X	5071	T03-T05-T-0X Mounting rail (50 cm)
451202	Amplifier DTKom (47 - 862 MHz)	5239	T03-T05-T-0X Mounting rail.12 Modules+PSU (56 cm)
5559	Headend Manager CDC-IP T-0X	5301	19" Subrack frame
555901	Headend Manager CDC-IP GSM T-0X	507202	T-0X Lockable cabinet with Ventilation Unit (7 Modules + PSU)
5629	Power supply unit 24VDC/5A T-0X	4061	75 Ohm DC-Block load
		4058	75 Ohm Load
		422601	T05 to T-0X Power connection lead (40 cm)
		422602	T05 to T-0X Management connection lead (40 cm)
		422603	T-0X Management connection lead (1m)
		5673	Blank plate 50 mm

### 3. Mounting

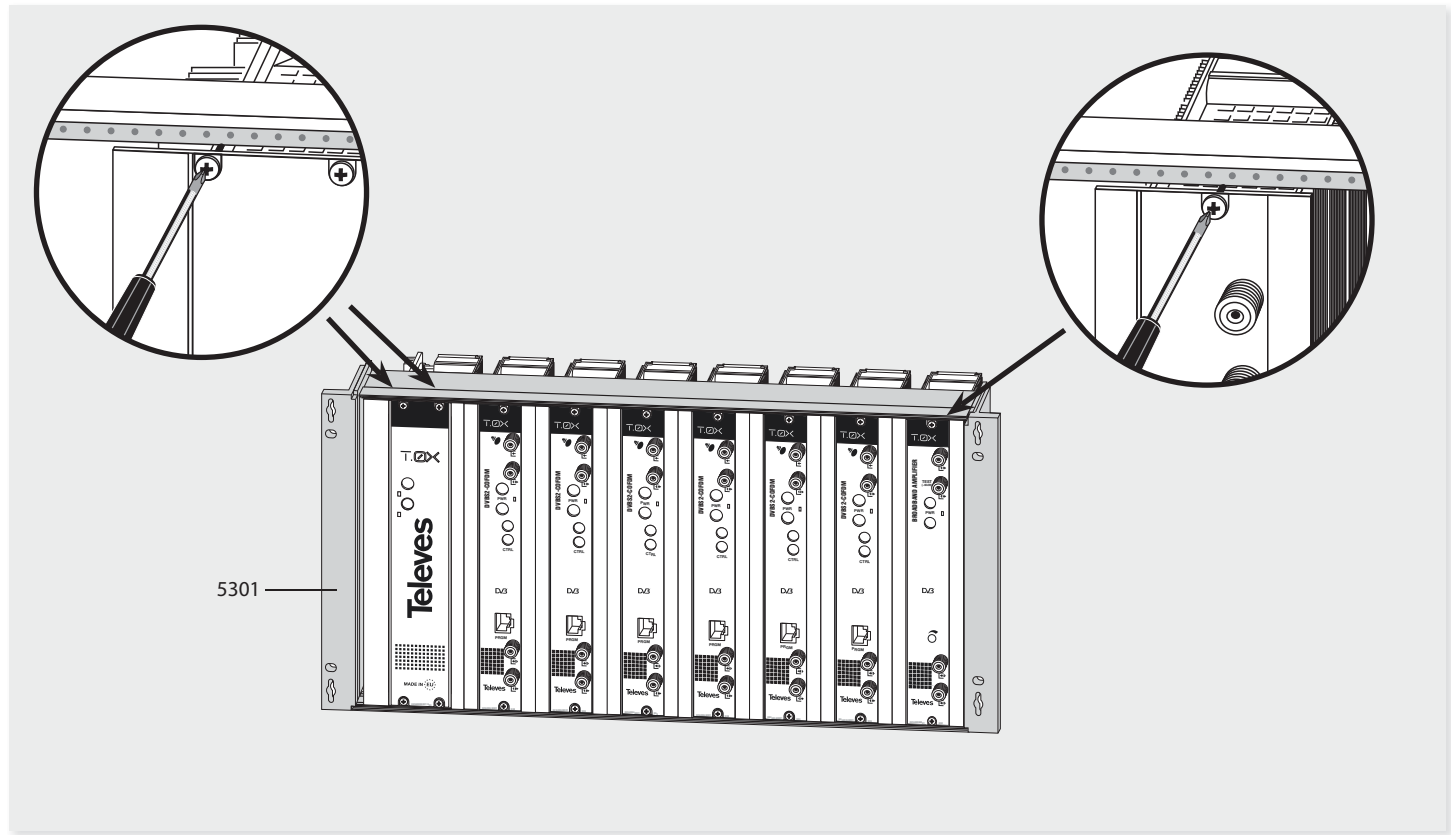
#### 3.1. Wall mounting



**NOTE:** The use of both source outputs is recommended, balancing the consumption. For example, 4+3 or 3+4 modules

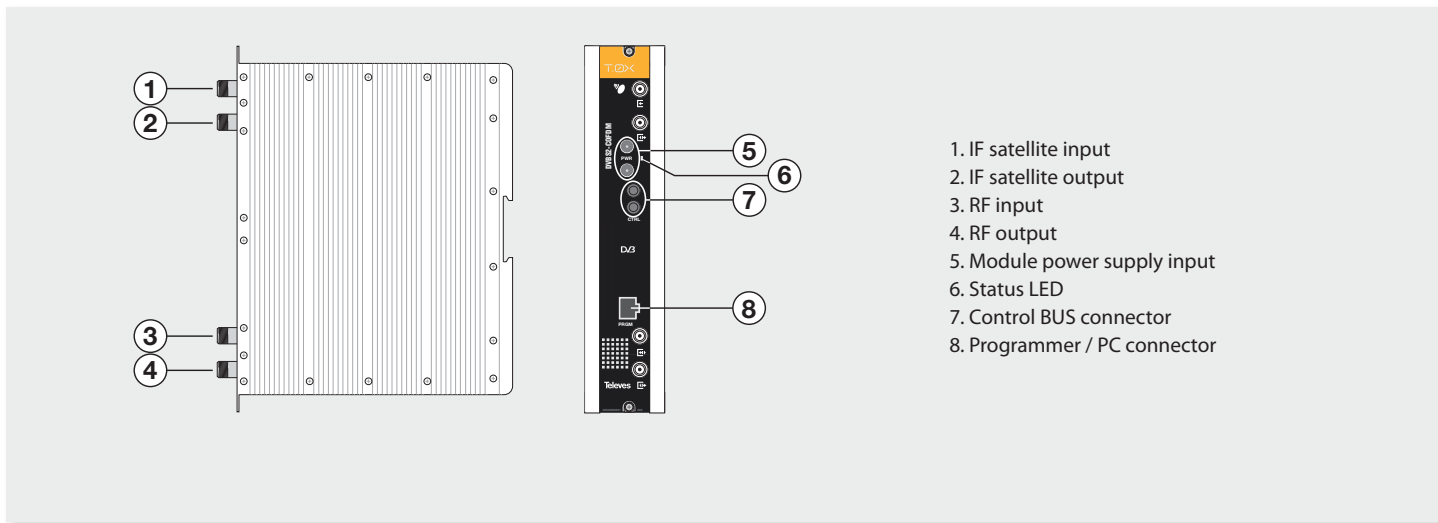


### 3.2. 19" rack mounting



## 4. Identification of the system elements

### 4.1. Introduction

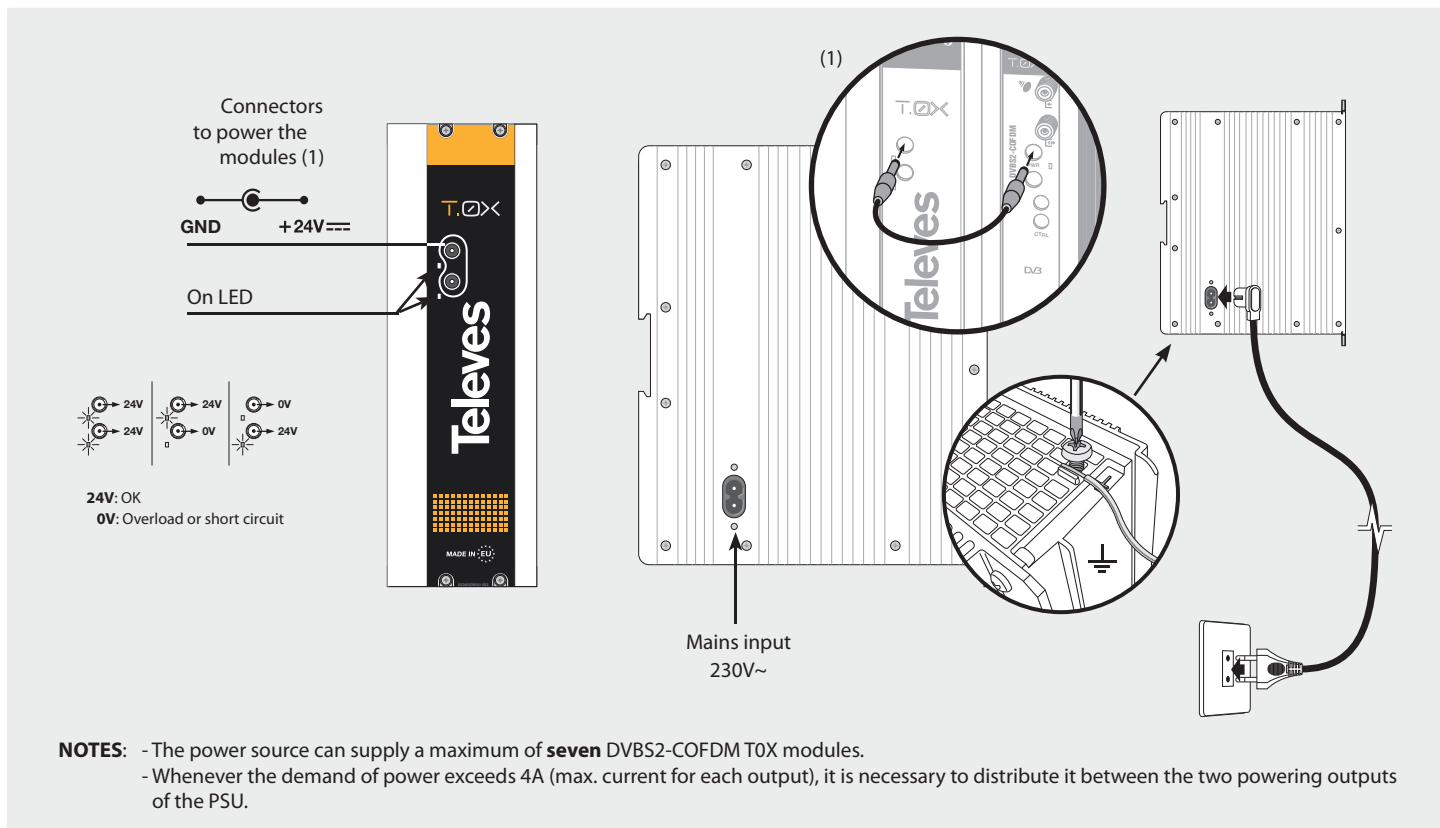


The DVBS2 transmodulator with COFDM receives a satellite transponder in some DVBS (QPSK) or DVBS2 (QPSK or 8PSK) modulation formats and demodulates it by obtaining an MPEG-2 transport package.

The MPEG2 transport package is then modulated in COFDM format and converted to the output channel (UHF or VHF and with a maximum bandwidth of 8 MHz) using an agile up-converter.

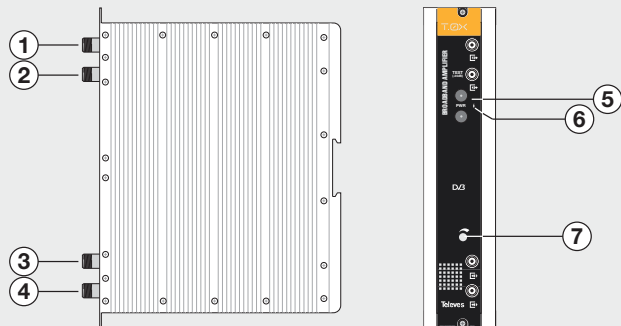
The programming of the transmodulator operating parameters (input frequency, output channel, modulation format and adaptation of services mainly) is performed through the universal programmer (ref. 7234).

## 4.2. Power supply unit



### 4.3. Broadband amplifier

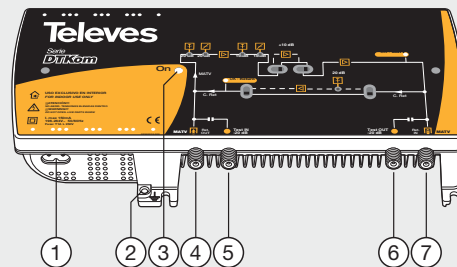
#### OPTION "A" - 5575



- |                         |                            |
|-------------------------|----------------------------|
| 1. RF output            | 5. Powering BUS connectors |
| 2. Test socket (-30 dB) | 6. Status LED              |
| 3. RF input             | 7. Gain attenuator         |
| 4. RF input             |                            |

It features two input connectors, to allow mixing of channels coming out from two different systems. If only one of the inputs is used, it is recommended to load the unused input with a 75 ohm terminator, ref 4061. As the rest of T-0X units, this amplifier is powered via the 24 Vdc power BUS.

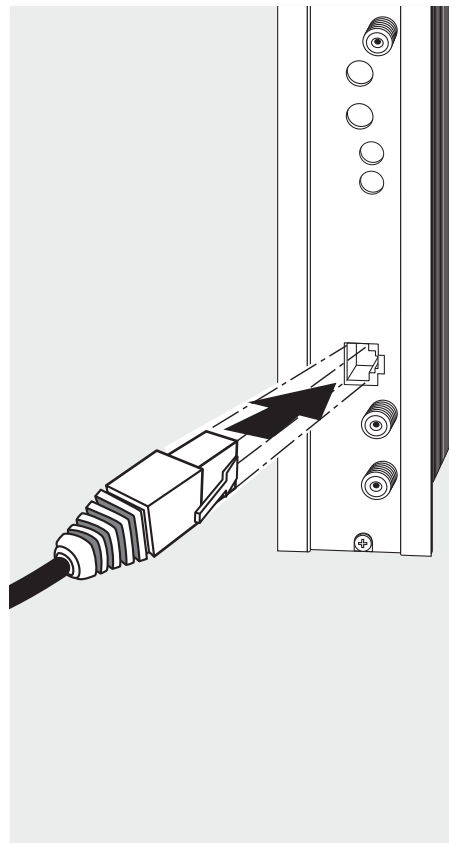
#### OPTION "B" - 451202



- |   |
|---|
| 1. Mains power supply input (196-264 V~ 50/60 Hz) |
| 2. Ground connection                              |
| 3. Power LED                                      |
| 4. MATV input                                     |
| Return channel output                             |
| 5. MATV input test                                |
| 6. MATV output test                               |
| 7. MATV output                                    |
| Return channel input                              |

Input signals through connectros 3 & 4 are combined and amplified in the frequency band 47-862 MHz

#### 4.4. Universal Programmer PCT 5.0



The programmer consists of 4 buttons:

- (short press) - Selection of parameter (positioning of the cursor).
- ▲-▼ Modification of the parameter chosen by the cursor (flashing)
- (short press) - Change menu
- (long press) - Change between Principal and Extended menus
- (long press) - Save changes to memory
- +▲ Cloning menu.
- +●+▲ Increases the contrast of the screen.
- +●+▼ Decreases the contrast of the screen.

## 5. - Instructions for use

Insert the programmer in the front connector of the module programming ("PRGM"). First, the programmer's firmware version will appear:

```
PCT firmware
version
-----
V:5.3
```

The firmware version of the DVBS2 – COFDM module is shown below:

```
Unit
Firmware
version:
1.05
```

### 5.1. Normal menu

#### a. Input menu

The first main menu lets you select the **input frequency**, the **symbol rate** of the input signal and the **power supply** of the LNB converter (0, 13V22KHz, 13v, 17V22KHz or 17v).

```
▶INPUT
Freq.: 1234MHz
27.500 Kbaud
LNB:13U22KHz
```

To make a change press the key ● until the desired parameter flashes. This field can be then be changed by means of the keys ▲ and ▼.

The range of values allowed for the input frequency is **950-2150 MHz**, whereas for the symbol rate the range is **10 to 30 Mbaud**.

In case of a 'short-circuit' in the input connector (power supply enabled for the LNB) the LED on the front of the module flashes until this condition disappears.

#### b. COFDM1 modulation menu

The next main menu allows various COFDM output modulation parameters to be selected:

```
▶COFDM >>
8MHz 64QAM
GI:1/8
FEC:3/4
```

The parameters that can be selected in this menu and their possible values are as follows:

- **Bandwidth** of the COFDM signal: 7MHz or 8MHz.
- **Modulation**: QPSK, 16QAM or 64QAM.
- **Guard interval**: 1/4, 1/8, 1/16 or 1/32.
- **FEC**: 1/2, 2/3, 3/4, 5/6 or 7/8.

### c. COFDM2 modulation menu

In the next main menu you can select the parameter `cell_id` (cell identifier) of the COFDM modulation:

```

└COFDM
Cell_id:
  0x0000
  
```

### d. Output menu

The next main menu shows the **frequency or output channel**, the output offset (only in channel mode), the **level control** and the selection of output **spectrum inversion**.

```

└OUTPUT
Ch:C21 Of:0
(474.000 MHz)
Lev:99 Norm.
  
```

```

└OUTPUT
Freq: 474.000
Level: 99
IQ: Norm.
  
```

To change the frequency press the key ● until the desired parameter flashes. This field can be then be changed by means of the keys ▲ and ▼.

In **frequency mode** you can select any output frequency value between 45 - 862 MHz. The

decimal part depends on the difference of frequency chosen (*see extended menu b*). If you select a difference of 125 KHz the permitted values for the decimal part are 0, 125, 250, 375, 500, 625, 750 and 875 KHz. With a difference of 166 KHz the possible values are 0, 166, 333, 500, 666 and 833 KHz.

The output level control permits values between 00 and 99.

The possible values for the output spectrum inversion are "Norm." (not inverted) and 'Inv.' (spectrum inversion).

In **channel mode** it lets you select an output channel from the table selected as well as the *offset* regarding the channel's receiving point frequency. The permitted offset values depend on the frequency difference selected (see configuration menu):

- Steps of 125KHz:  $\pm 4$  (-500, -375, -250, -125, 0 , 125, 250, 375, 500 KHz)
- Steps of 166KHz:  $\pm 3$  (-500, -333, -166, 0 , 166, 333, 500 KHz).

### e. Service menu

This menu shows the list of transport stream services selected. Each time the user selects a new input transport, the unit performs a search for the services.

During that process the unit will display the following message, indicating the number of services found:

```

└SERVICE
Scanning: 13
  
```

Once the search is complete, it shows the list of services with the following information:

```

└SERVICE
2/8 18/25
France 2
OFF
  
```

The service order number as well as the total number of services in the multiplex (in service figure 2 of 8 available) are indicated, the statistics (in the figure 18/25), the name of the service and if the user has selected it for removal in the output (OFF) unscrambling (DCY) or to move it to output without changing (ON).

The meaning of the statistics is as follows: the first number indicates the percentage of the output

that occupies the service indicated. The second number indicates the percentage of the output that is free. In the example, France 2 will occupy 18% of the output (it is OFF so it is removed) and there is 25% of free space. It is easy to see that, in principle, this service could be activated (ON or DCY) because there is still sufficient capacity to output. The free percentage to output is only updated once the configuration of the services has been recorded.

Additionally, the status (scrambled or clear) of the service, both at the input and output are indicated in the upper right hand corner:

‡ Scrambled service at input.

## f. Measurements menu 1

The following menu provides an indication of the input **signal quality** using an estimate of C/N (dB) and the link margin (dB).

```

MONITOR >>
C/N:14.1dB

L.M.: 7.7dB
  
```

## g. Measurements menu 2

This menu indicates the **occupancy rate** of the module's output as well as the maximum achieved. If too many services are selected it will result in an output overflow and this condition is indicated.

```

MONITOR
Occupancy:
76%
Max:80%
  
```

```

MONITOR
Overflow!!
  
```

Occupancy values higher than 82% are not recommended.

If the occupation exceeds 82%, we recommend trying to reduce it, either by changing the guard interval, the modulation or the FEC.

If despite this, the modulation is still over 82%, the only option to reduce it would be to eliminate a service of the output multiplex. See paragraph 6.

This is a read only menu, which disables the keys ▲ and ▼.

You can reset the maximum occupation by pressing the key ●.

## 5.2. Extended menu

When the ● key is held down for more than 3 seconds the unit shows a series of less frequently used menus called *extended menus*.

### a. Configuration menu

This menu enables the **address** of the unit to be selected (to be controlled through a CDC Headend Control).

It also allows selection of the **output frequency difference** (125 or 166KHz), the **table of channels** to use or **frequency mode** operation.

```

CONFIG.
CDC Adr: 001
Step: 166KHz
CCIR N.Z.Ind
  
```

The channel tables that can be selected are:

- CCIR,
- China
- Chile
- Italy
- France
- OIR channels
- Ireland
- South Africa
- Poland
- Australia



## b. Identifier menu

Some DVB-T receivers can present problems receiving transmodulator channels which share the same identifier (*transport\_stream\_id*). To avoid these cases the user can change the following DVBT output multiplex identifiers: *transport\_stream\_id* (*ts\_id*), *network\_id* (*n\_id*) and *original\_network\_id* (*on\_id*).

You can choose **Auto** mode (the identifiers do not change) or **Manual** mode.

When switching from Auto mode to Manual the identifiers received by satellite are displayed and the user can change them.

```

MONITOR
IDTs
Auto
  
```

```

MONITOR
IDTs Manual
ts_id: 0x04fc
n_id: 0x055f
on_id: 0x055f
  
```

## c. Temperature measurement menu

The following menu provides an indication of the unit's **current temperature** as well as the maximum recorded. The maximum can be reset by pressing the key ●.

```

MONITOR
Now: 04
Max: 05
● reset
  
```

The recommended operating margins are as follows:

- Optimum operation : **0-6**
- High temperature: **7-8**
- Excessive temperature: **9-10**

If the maximum recorded is outside the optimal range the installation should be adjusted to try to lower the temperature.

If the DVBS2-COFDM modules have been installed in a housing ref. 5069 and the temperature of one of the modules is outside of the optimal operating range, the ventilation unit will have to be installed ref. 5334. To check whether this change is effective the maximum can be reset and its value checked after a given time.

## d. Versions menu

In this menu the user is shown the firmware versions for the unit and the COFDM (FPGA) modulator.

```

VERSION
Unit:
1.05
1.04
● reset
  
```

EN

## e. LCN menu

Assign a LCN (Logical Channel Number) (between 1 and 1023) to the existing services at the output (marked as ON or DCY).

```

LCN
1/4
Fashion TV
N:0003
  
```

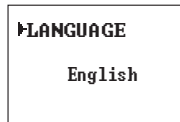
```

LCN
3/4
Soyuz TV
NO LCN
  
```

To change the LCN press keys ● and ▲ or ▼. If select "0000" as LCN will show "NO LCN".

## f. Language menu

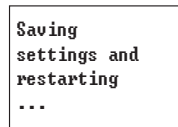
The last extended menu enables the menu language to be selected (Spanish / English / German / French):



Pressing keys ▲ and ▼ changes the selected language.

## 5.3. Parameters saving

Once a parameter is modified to the desired value in any menu (normal or extended), to save the settings press ■ for three seconds. The display will show the following indication:



If the configuration parameters are modified but not saved, the previous configuration is retrieved after 30 sec. in other words, the changes are discarded.

## 6. - Selecting the DVB-T output mode in DVBS2-COFDM transmodulators

The standard DVB-T defines various possible operation modes which enable the DVB-T signal generated to adjust to the conditions of the transmission channel. The signal for instance can travel through a very noisy channel (low C/N) but will bring with it reception errors. The signal may also reach the receiver through a number of paths, one main path and another or various secondary ones (ECHOES).

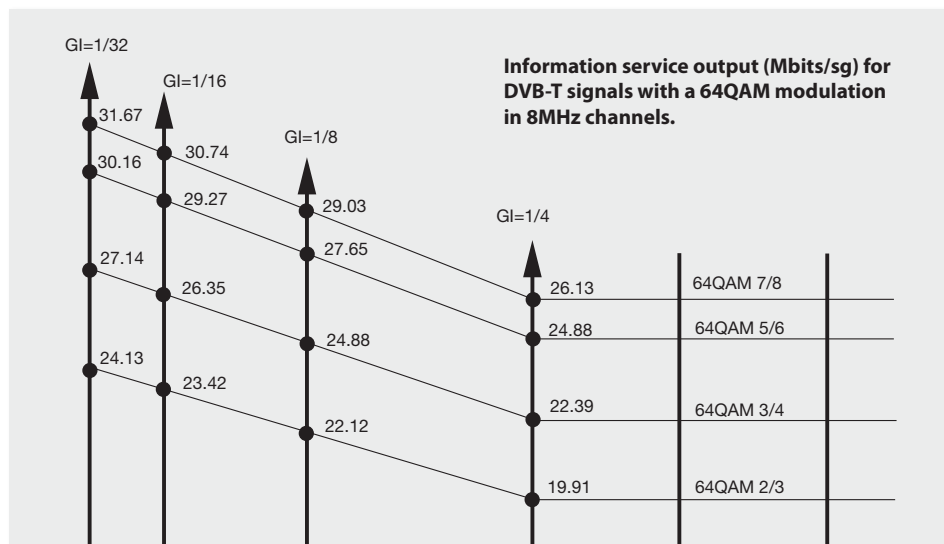
Put simply, we could say that the DVB-T operation modes can be characterised by the following:

- 1 - Type of modulation
- 2 - Level of protection against Errors
- 3 - Level of protection against Echoes

In the following chart, one can see a subgroup of the possible DVB-T modes that indicates the information service output (Mbits/sg) that each one can transmit.

The greater the information service output of the DVB-T mode selected, the greater the number of TV and Radio services which can be transmitted through the signal.

**NOTE:** We suggest choosing one of the DVBT modes from the chart. Those modes which have not been included have a lower information service output.



On the right hand side of the chart are the different unit step functions (64 QAM 2/3, 64QAM 3/4, 64QAM 5/6, 64QAM 7/8), each one corresponds to a degree of protection against errors which the DVB-T signal can carry.

The higher the step selected, the greater the information service output (Mbits/sg) of the relevant DVB-T mode, although its level of protection against errors will be inferior and it will require a higher C/N to receive the signal.

We will now look at the level of protection against echoes.

To do so, one must select one of the four possible vertical axes that appear on the left side of the previous chart (GI=1/4, GI=1/8, GI=1/16, GI=1/32).

The further left the selected axis is, the greater the DVB-T mode's information service output (Mbits/sg) will be, but its level of protection against echoes will be lower, in other words, the maximum supported echo delay will be inferior.

In short, the higher and further to the left the DVB-T mode selected is, the more powerful this mode will be in terms of information service output (Mbits/sg).

On the other hand, the lower and further to the right the DVB-T mode selected is, the more robust this mode will be in terms of interferences which could affect the signal.

The terrestrial transmission channel (transmission aerial - terrestrial atmosphere – receiving aerial) is very complex, with numerous interferences that can potentially affect the DVB-T signal.

Due to this, in Spain, the DVB-T signal is generally disseminated with the following features:

- (1) Type of modulation: 64QAM
- (2) Level of protection against Errors: 2/3
- (3) Level of protection against echoes: 1/4

If one looks at the previous chart, one can see that the information service output of the DVB-T mode is 19.91 Mbits/sg.

In our case, the DVB-T signal generated by the DVBS2-COFDM transmodulator, Ref. 563101, is not going to be transmitted through the terrestrial transmission channel, but through a channel that is generally much more benign: the distribution network of the building.

**NOTE:** *The better the quality of the building's distribution network, the better the transmission channel will be when transmitting signals.*

Given that our transmission channel is better, we can use the DVBS2-COFDM transmodulator, Ref. 563101, by selecting a higher DVB-T output mode than that used by terrestrial channels to disseminate. This will have a greater information service output (Mbits/sg) and will therefore enable us to include a greater number of TV and Radio services.

Therefore, when setting up the DVBS2-COFDM transmodulators, Ref. 563101, one should follow a procedure such as the one below:

- 1 - Select one of the stronger DVB-T output modes.  
E.g. 64QAM-5/6 with  $GI=1/32$ , information service output of 30.16 Mbits/sg.
- 2 - Check the quality of the signal received at various points within the building.

If the signal quality is good, the technician can consider using an even stronger DVB-T mode, in other words, one with a greater information service output. On the other hand, in cases where the signal quality is insufficient, they must consider using a more robust DVB-T mode.

In most cases, the distribution network within the building should support those DVB-T modes that have a lower protection level against echoes. Therefore, if a more robust mode is necessary, one should first try using, one at a time, greater protection levels against errors.

## 7. - Controlling the Device

This version of the DVBS2-COFDM T0X allows configuration and monitoring via a PC, both locally and remotely.

### a. Local control

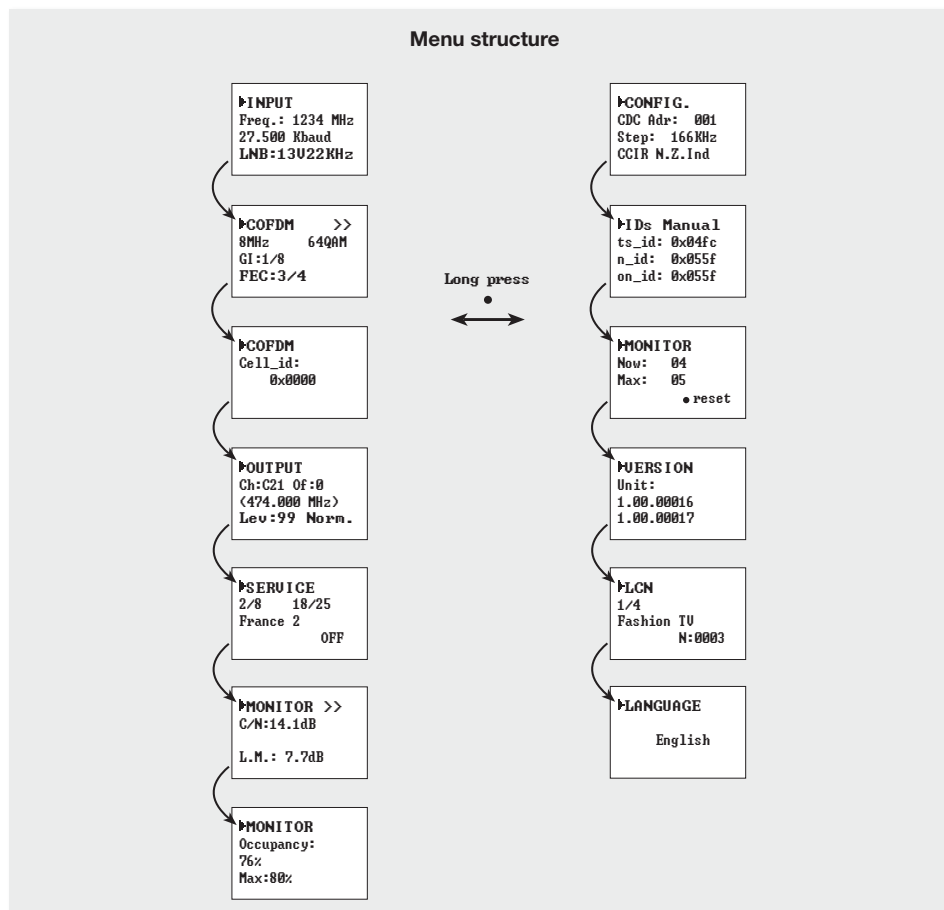
The “Headend Management” programme (v2.13 or higher) is required, as well as a special cable (provided with the programme) that connects a PC serial port to the DVBS2-COFDM T0X “PRGM” connector.

The programme can be used to set up and read all the operating parameters, as well as to monitor the correct operation of the device.

### b. Remote control

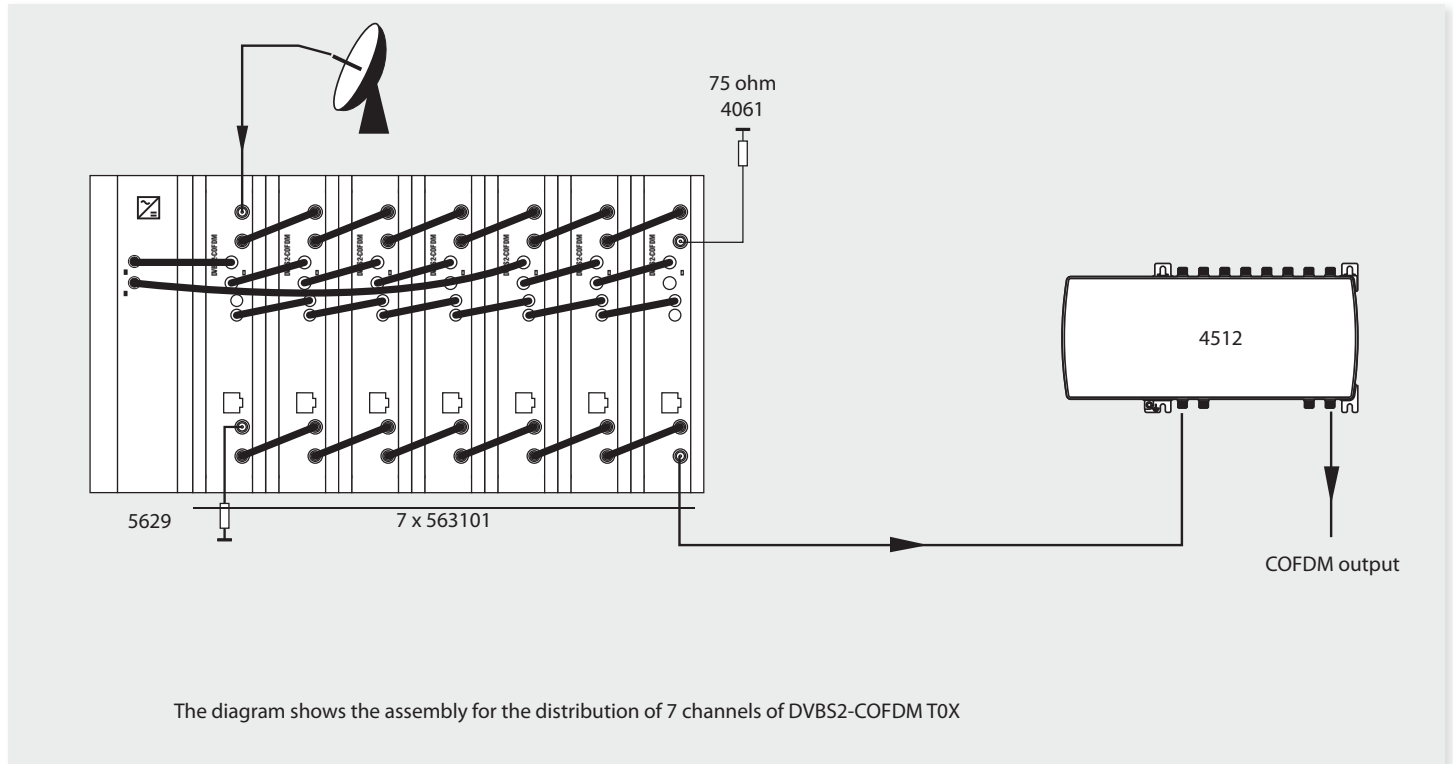
It is necessary to have a Headend Control module (ref. 555901) that includes the programme mentioned above, and the corresponding modem connected to a phone line.

Once the communication with the headend control has been established, all the controllable devices that have been installed in the headend can be accessed. In this case it is essential that each element be programmed with a different device address between 1 and 254.



## 8. Application example

### Distribution of 7 channels of DVBS2-COFDM T0X

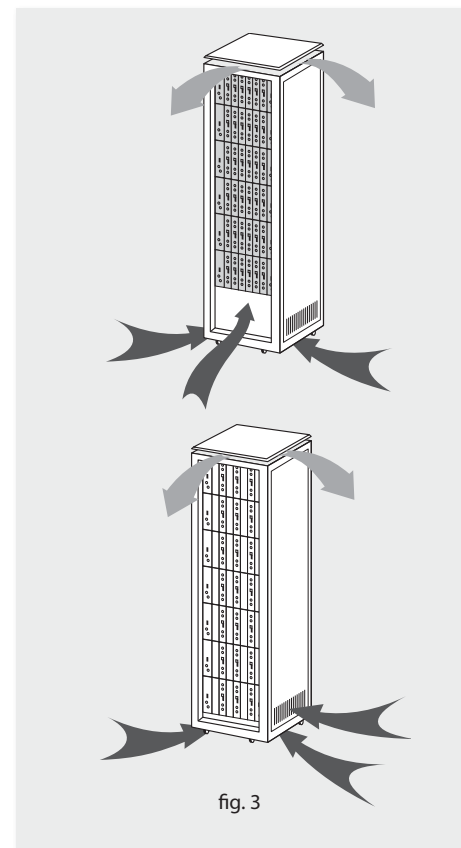
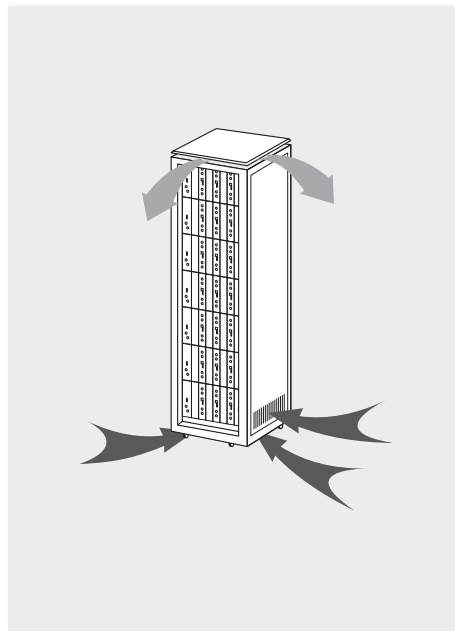
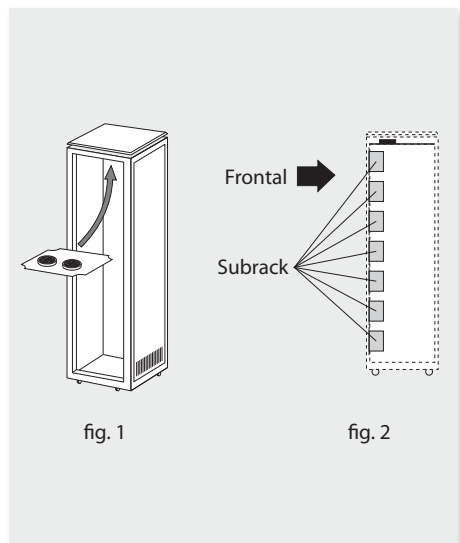


## 9. Norms for rack mounting (max. 35 DVBS2-COFDM T0X - 7 subracks with 5 units in height - 8,7")

### 9.1. Installation of the rack with ventilation facilities

To facilitate the renewal and circulation of the air inside the rack, and the temperature of the units and thus improve their characteristics, it is advisable to place 2 ventilation units of 25W, particularly when the rack with the DVBS2-COFDM T0X is located in warm place, with a temperature higher than 45°C.

These ventilators will be installed on a tray that is fixed inside the cabinet (fig. 1 & 2). This way, the ventilators will be able to extract the air from the DVBS2-COFDM T0X and will be able to expel it via the gap (approx. 3-5 cm) at the top part of the Rack. The air will enter again through the lower part of the device, fig 3.



It is very important that this process operates correctly, therefore the following must be observed:

- Do not open the side doors, as this would cause the ventilators to extract the air from the outside rather than the air in the inside of the rack.
- Do not place objects close to the rack that may block the entry and exit points of the air.
- If the rack is not complete, the subracks must be placed from the top downwards without leaving any gaps in between, fig. 4.

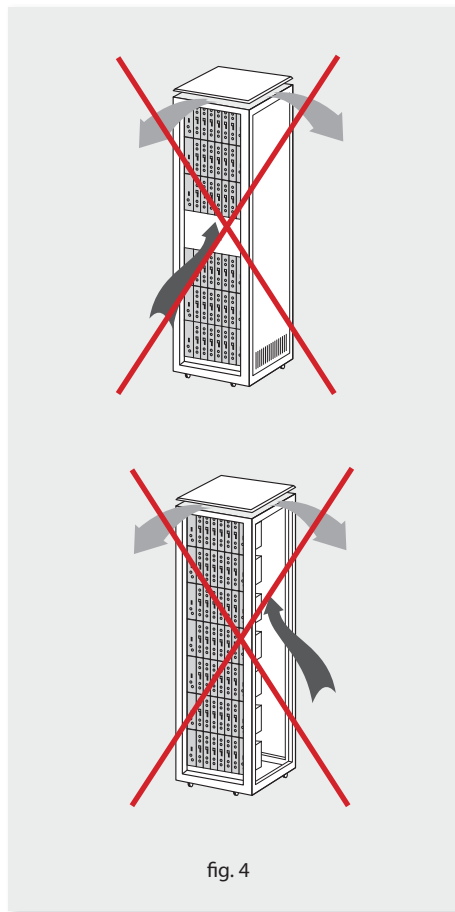
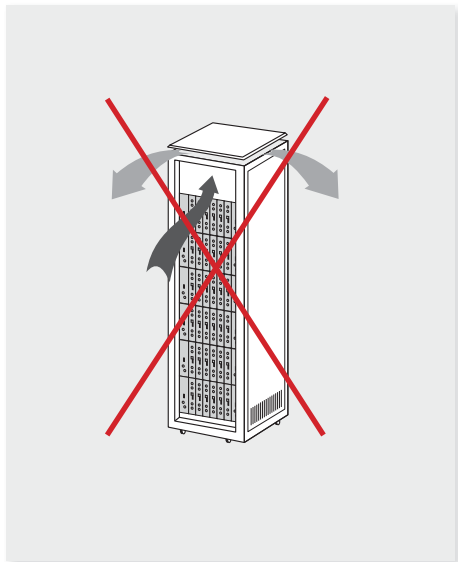


fig. 4

## 9.2. Installation of the rack without ventilation facilities

To install the units in racks without installation facilities, and when the rack is located in a place with a temperature of around 45°C, it is advisable to place the rack completely open, in other words, do not use the side doors. This is to facilitate the ventilation of the units, fig. 5.

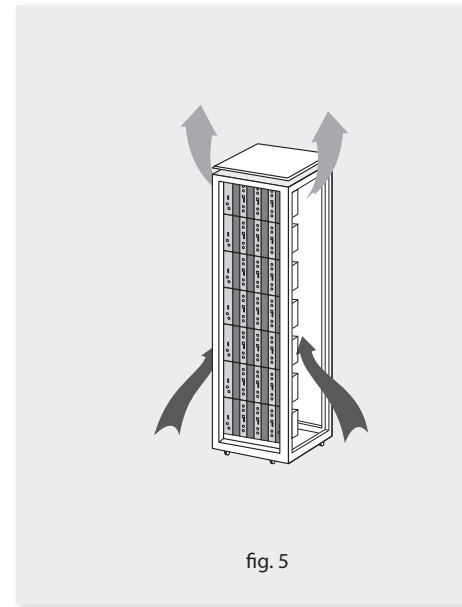


fig. 5

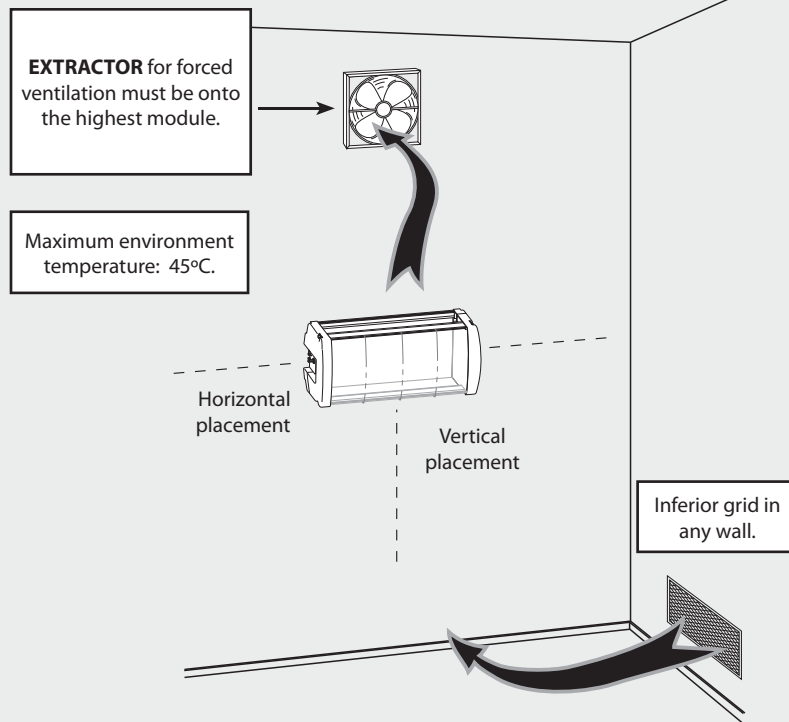


## 10. Norms for cabinet mounting

### IMPORTANT

The scheme of recommended ventilation is the one in the figure in any case of cabinet placement (horizontal or vertical).

The maximum temperature permitted surrounding the highest cabinet is 45°C in both ways of placement, horizontal or vertical way.

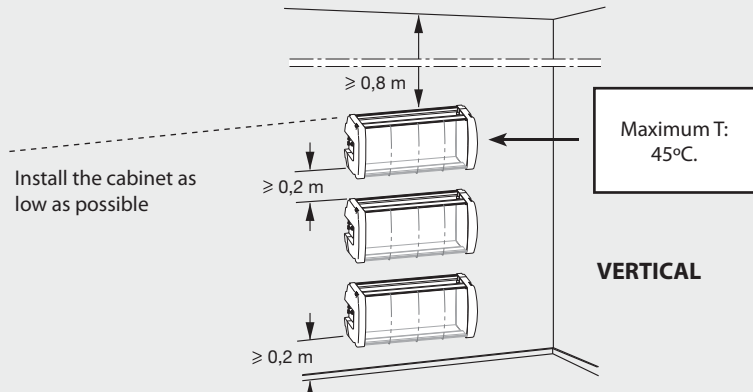
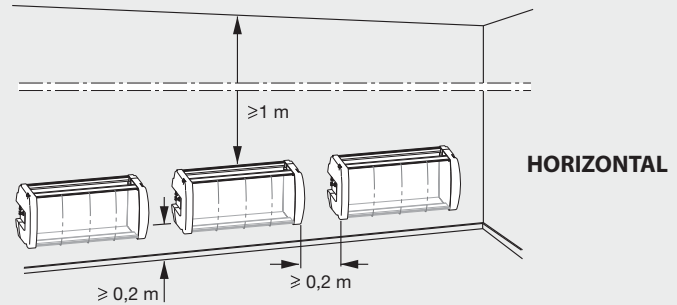


**IMPORTANT**

Horizontal placement of the cabinets is strongly recommended, hanging them as near to the floor as possible.

If the horizontal placement is impossible, then vertical placement is allowed.

Respect the recommended minimum distances in the attached schemes.



## A. Channels table

Table1	Table2		Table3		Table4		Table5		Table6		Table7		Table8		Table9		Table10		
CCIR	China/Taiwan		Chile		Italy		France		OIR channels		Ireland		South-Afric		Poland (OIR)		Australia		
C05	177,50	7	179,00	6	177,00	D	177,50	L05	178,75	R06	178,00	5	178,00	4	178,00	K06	178,00	6	177,50
C06	184,50	8	187,00	7	183,00	E	186,00	L06	186,75	R07	186,00	6	186,00	5	186,00	K07	186,00	7	184,50
C07	191,50	9	195,00	8	189,00	F	194,50	L07	194,75	R08	194,00	7	194,00	6	194,00	K08	194,00	8	191,50
C08	198,50	10	203,00	9	195,00	G	203,50	L08	202,75	R09	202,00	8	202,00	7	202,00	K09	202,00	9	198,50
C09	205,50	11	211,00	10	201,00	H	212,50	L09	210,75	R10	210,00	9	210,00	8	210,00	K10	210,00	9A	205,50
C10	212,50	12	219,00	11	207,00	H1	219,50	L10	218,75	R11	218,00	10	218,00	9	218,00	K11	218,00	10-o	211,50
C11	219,50	C21	474,00	12	213,00	H2	226,50	C21	474,00	R12	226,00	11	226,00	10	226,00	K12	226,00	10	212,50
C12	226,50	C22	482,00	22	479,00	C21	474,00	C22	482,00	C21	474,00	C21	474,00	C21	474,00	C21	474,00	11-o	218,50
C21	474,00	C23	490,00	23	485,00	C22	482,00	C23	490,00	C22	482,00	C22	482,00	C22	482,00	C22	482,00	11	219,50
C22	482,00	C24	498,00	24	491,00	C23	490,00	C24	498,00	C23	490,00	C23	490,00	C23	490,00	C23	490,00	12	226,50
C23	490,00	C25	506,00	25	497,00	C24	498,00	C25	506,00	C24	498,00	C24	498,00	C24	498,00	C24	498,00	S45	473,50
C24	498,00	C26	514,00	26	503,00	C25	506,00	C26	514,00	C25	506,00	C25	506,00	C25	506,00	C25	506,00	H21	480,50
C25	506,00	C27	522,00	27	509,00	C26	514,00	C27	522,00	C26	514,00	C26	514,00	C26	514,00	C26	514,00	H22	487,50
C26	514,00	C28	530,00	28	515,00	C27	522,00	C28	530,00	C27	522,00	C27	522,00	C27	522,00	C27	522,00	H23	494,50
C27	522,00	C29	538,00	29	521,00	C28	530,00	C29	538,00	C28	530,00	C28	530,00	C28	530,00	C28	530,00	H24	501,50
C28	530,00	C30	546,00	30	527,00	C29	538,00	C30	546,00	C29	538,00	C29	538,00	C29	538,00	C29	538,00	H25	508,50
C29	538,00	C31	554,00	31	533,00	C30	546,00	C31	554,00	C30	546,00	C30	546,00	C30	546,00	C30	546,00	H26	515,50
C30	546,00	C32	562,00	32	539,00	C31	554,00	C32	562,00	C31	554,00	C31	554,00	C31	554,00	C31	554,00	H27	522,50
C31	554,00	C33	570,00	33	545,00	C32	562,00	C33	570,00	C32	562,00	C32	562,00	C32	562,00	C32	562,00	H28	529,50
C32	562,00	C34	578,00	34	551,00	C33	570,00	C34	578,00	C33	570,00	C33	570,00	C33	570,00	C33	570,00	H29	536,50
C33	570,00	C35	586,00	35	557,00	C34	578,00	C35	586,00	C34	578,00	C34	578,00	C34	578,00	C34	578,00	H30	543,50
C34	578,00	C36	594,00	36	563,00	C35	586,00	C36	594,00	C35	586,00	C35	586,00	C35	586,00	C35	586,00	H31	550,50
C35	586,00	C37	602,00	37	569,00	C36	594,00	C37	602,00	C36	594,00	C36	594,00	C36	594,00	C36	594,00	H32	557,50
C36	594,00	C38	610,00	38	575,00	C37	602,00	C38	610,00	C37	602,00	C37	602,00	C37	602,00	C37	602,00	H33	564,50
C37	602,00	C39	618,00	39	581,00	C38	610,00	C39	618,00	C38	610,00	C38	610,00	C38	610,00	C38	610,00	H34	571,50
C38	610,00	C40	626,00	40	587,00	C39	618,00	C40	626,00	C39	618,00	C39	618,00	C39	618,00	C39	618,00	H35	578,50
C39	618,00	C41	634,00	41	593,00	C40	626,00	C41	634,00	C40	626,00	C40	626,00	C40	626,00	C40	626,00	H36	585,50
C40	626,00	C42	642,00	42	599,00	C41	634,00	C42	642,00	C41	634,00	C41	634,00	C41	634,00	C41	634,00	H37	592,50
C41	634,00	C43	650,00	43	605,00	C42	642,00	C43	650,00	C42	642,00	C42	642,00	C42	642,00	C42	642,00	H38	599,50
C42	642,00	C44	658,00	44	611,00	C43	650,00	C44	658,00	C43	650,00	C43	650,00	C43	650,00	C43	650,00	H39	606,50
C43	650,00	C45	666,00	45	617,00	C44	658,00	C45	666,00	C44	658,00	C44	658,00	C44	658,00	C44	658,00	H40	613,50
C44	658,00	C46	674,00	46	623,00	C45	666,00	C46	674,00	C45	666,00	C45	666,00	C45	666,00	C45	666,00	H41	620,50
C45	666,00	C47	682,00	47	629,00	C46	674,00	C47	682,00	C46	674,00	C46	674,00	C46	674,00	C46	674,00	H42	627,50
C46	674,00	C48	690,00	48	635,00	C47	682,00	C48	690,00	C47	682,00	C47	682,00	C47	682,00	C47	682,00	H43	634,50
C47	682,00	C49	698,00	49	641,00	C48	690,00	C49	698,00	C48	690,00	C48	690,00	C48	690,00	C48	690,00	H44	641,50



## Guarantee

Televes S.A. offers a two year guarantee, beginning from the date of purchase for countries in the EU. For countries that are not part of the EU, the legal guarantee that is in force at the time of purchase is applied. Keep the purchase invoice to determine this date.

During the guarantee period, Televes S.A. complies with the guarantee by repairing or substituting the faulty equipment.

The harm produced by improper usage, wear and tear, manipulation by a third party, catastrophes or any other cause beyond the control of Televes S.A. is not included in the guarantee.



**DECLARATION OF CONFORMITY N° 110601135344**

DECLARACIÓN DE CONFORMIDAD  
DECLARAÇÃO DE CONFORMIDADE  
DECLARATION DE CONFORMITE  
DICHIARAZIONE DI CONFORMITA  
DEKLARACJA ZGODNOSCI  
DECLARATIE DE CONFORMITATE  
KONFORMITETSERKLÆRING  
CONFORMITEITSVERKLARING  
VASTAVUSE SEKTIFIKAAT

KONFORMITÄTSEKRLÄRUNG  
ΠΙΣΤΟΠΟΙΗΤΙΚΟ ΣΥΜΜΟΡΦΩΣΗΣ  
FÖRSÄKRAN OM ÖVERENSSTÄMMELSE  
VAATIMUSTENMUKAISUSVAKUUTUS  
ΑΠΙΘΥΚΤΗΣ ΔΕΚΛΑΡΑCΙΑ  
ДЕКЛАРАЦІЯ СОНТВЕТСТВИЯ  
MEGFELŐSÉGI NYILATKOZAT  
BESEKRETELSE  
ДЕКЛАРАЦІЯ ВІДПОВІДНОСТІ

Manufactures / Fabricante / Fabricante / Fabricant / Fabricante / Fabricanti / Κατασκευαστής / Tilberkare / Valmistaja / Producent / Gaminiojas /  
Навмоставельц / Producator / Gyártó / Fabrikant / Produsent / Fabrikant / Виробник / Valmistaja:

Televes S.A.  
Rua Benéfica de Conxo, 17 - 15706 - Santiago de Compostela - Spain

Declare under our own responsibility the conformity of the product/ Declara bajo su exclusiva responsabilidad la conformidad del producto / Declara  
sola sua exclusiva responsabilidade a conformidade do produto / Déclare sous notre propre responsabilité la conformité de ce produit / Dichiaro sotto la mia  
esclusiva responsabilità la conformità del prodotto / Wir übernehmen die Verantwortung für die Konformität des Produktes / Πρωτότυπος για δική μας  
εξόχως την συμμόρφωση του προϊόντος / Förklarar on överstämmele enligt tillverkarens eget ansvar för produkten / Vakuutamme yksinomaan omalla  
vastuullamme tuotteen yhtenäisyyttä / Oświadczamy na własną odpowiedzialność zgodność wyrobu / Deklarujeme savo atsakomybe, kad produktas yra  
atitinkamais / Διασφαλίζω με παροχή своей ответственностью о соответствии продукции / Declaram pe propria răspundere ca produsul este în  
conformitate cu cerințele esențiale și celalalte prevederi aplicabile / Sajiin feleliisidükkre kijelenjää, hogy a termék megfelel / Erklærer under vores eget  
ansvar overensstemmelse for produktet / Erklærer under vårt eget ansvar överensstemmelse for produktet / Wij nemen de verantwoording voor de  
conformiteit van het product / Заявляю з повною своєю відповідальністю що да відповідності продукція / Kinnitame toote vastavust:

Reference / Referencia / Referência / Référence / Artículo / Artikelnummer / Ажлақ / Referens / Referenși / Numer Katalogowy / Produkto numeris /  
Арымакы / Referință / Termékszám / Varenummer / Varenummer / Artikelnummer / Арымакы / Vide:

5631XX

Description / Descripción / Descrição / Description / Descrizzione / Beschreibung / Περιγραφή / Beskrivning / Kavuss / Opis / Produktu aprašas / Ūtaviname /  
Descriere / Leiris / Beskrivelse / Beskrivelse / Beschrijving / Onus / Kirjeldus:

DVBS2 COFDM TUX

Trademark / Marca / Marca / Marque / Marchio / Handelsmarke / Марка / Varumärke / Tavaramerkki / Marka / Prekės ženklas / Торговая марка / Marka /  
Märke / Varemärke / Varemärke / Handelsmerk / Торговельна марка / Kaubamärk:

Televes

With the requirements of / Con los requerimientos de / Com as especificações de / Avec les conditions de / Con i requisiti di / Die Voraussetzungen erfüllen  
/ Με τις απαιτήσεις των / Enligt följande bestämmelser / Seuravienit määritykseen / Zgodnie z wymogami / Attitaka veikalo normos / Τροφισμασκα / In  
conformitate cu / Az alábbi követelményeknek / Med bestemmelserne / Med bestemmelserne / In overeenstemming met / відповідно до умов / інгімістал:

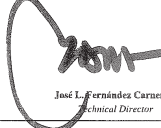
- Low Voltage Directive 2006 / 95 / EC.
- EMC Directive 2004 / 108 / EC.

Following standards / Con las normas / Com as normas / Selon les normes / Con le norme / Folgende Anforderung / Ακολουθία πρότυπα / Följande  
standard / Seuravienit standardien / Zastatovanie nastupajucej norm / Pajagi standartai / Cielgyvaukas esnaidapmon / Respecta urmatoarele standarde / A  
Kivitező szabványoknak / Folgende standarder / Folgende standarder / Folgende richtlijnen en normen / Нормы і стандарты / Işinletile  
standartlar:

EN 60728-11:2005, EN 50083-2:2006

Santiago de Compostela, 01/6/2011



  
José L. Fernández Carnero  
Technical Director

Televés

European technology **Made in**  **EU**rope



01030276-001